

## Description

JDZX11-15, 20 series of indoor voltage transformer, which is the epoxy resin casting fully enclosed post structure. It's rated frequency 50Hz or 60Hz, rated voltage of power system up to 10kV, for measuring current, electric energy and relay protection. This voltage transformer conforms to IEC60044-2 and GB1207-2006 standard.

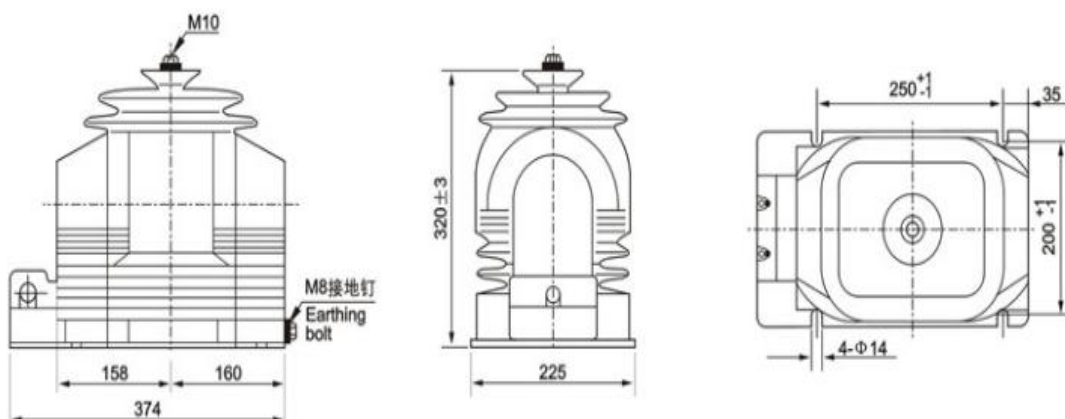
## Technical Data

- Power factor:  $\text{COS}\Phi=0.8$  (lagging)
- Rated frequency: 50/60Hz
- Ambient temperature:  $-5^{\circ}\text{C} \sim +40^{\circ}\text{C}$
- Altitude :  $\leq 2000\text{m}$

Model	Rated transformation ratio(kV)	Accuracy classes combination	Rated output (VA)	Thermal limit output (VA)	Rated insulation level (kV)
JDZX11-15	$13.8/\sqrt{3}/0.1/\sqrt{3}/0.1/3$	0.2/6P(3P) 0.5/6P(3P) 1/6P(3P)	30/100 80/100 150/100	400	18/55/105
	$15/\sqrt{3}/0.1/\sqrt{3}/0.1/3$				
	$15.7/\sqrt{3}/0.1/\sqrt{3}/0.1/3$				
	$18/\sqrt{3}/0.1/\sqrt{3}/0.1/3$				
JDZX11-20	$20/\sqrt{3}/0.1/\sqrt{3}/0.1/3$				24/65/125
JDZX11-15	$13.8/\sqrt{3}/0.1/\sqrt{3}/0.1/\sqrt{3}/0.1/3$	0.2/0.2/6P(3P) 0.2/0.5/6P(3P) 0.2/0.5/6P(3P)	15/15/100 20/20/100 30/30/100	300	18/55/105
	$15/\sqrt{3}/0.1/\sqrt{3}/0.1/\sqrt{3}/0.1/3$				
	$15.7/\sqrt{3}/0.1/\sqrt{3}/0.1/\sqrt{3}/0.1/3$				
	$18/\sqrt{3}/0.1/\sqrt{3}/0.1/\sqrt{3}/0.1/3$				
JDZX11-20	$20/\sqrt{3}/0.1/\sqrt{3}/0.1/\sqrt{3}/0.1/3$				24/65/125

**Note:** We can also manufacture the transformers with other specifications as the detailed request.

## Outline Dimension



Send a inquiry