

GN22-12(C) indoor HV disconnect switch applies to power system of rated voltage 12kV, AC 50/60Hz. It's equipped with CS6 manual operating mechanism, used to break and make circuit under no-load. The product conforms to IEC62271-102.

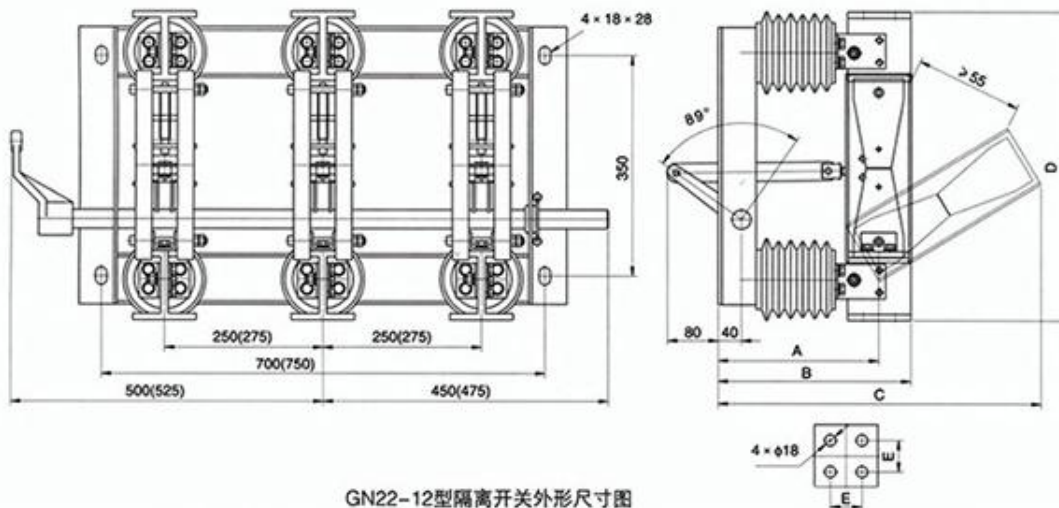
**Environment condition**

- Ambient temperature: max. +40°C min. -25°C
- Altitude: ≤1000m
- Wind pressure: ≤700Pa (equals to wind speed 34m/s)
- Relative humidity: daily average ≤95%, monthly average ≤90%
- Earthquake intensity: ≤8 degree
- No corrosive, explosive or flammable gas ,no violent vibration

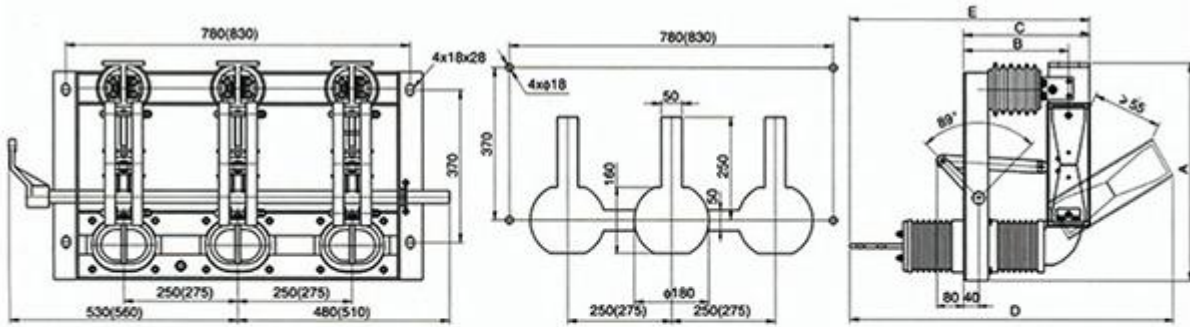
**Technical Data**

Rated voltage (kV)	12	
Rated frequency (HZ)	50/60	
Rated current (A)	1600-2000	2500-3150
Rated short-time withstand current (kA)	40	50
Rated peak withstand current (kA)	100	125
Rated short-circuit duration (s)	4	
Rated insulation level	1min. PF withstand voltage (kV)	phase to phase/ to earth: 42, across open contacts: 49
	Lightning impulse withstand voltage(peak)	phase to phase/ to earth: 75, across open contacts: 85

**Outline Dimension**



Model	A	B	C	D	E
GN22-12/1600-2000	255	305	527	490	50
GN22-12/2500-3150	262	325	538	494	60



GN22-12C型隔离开关外形尺寸图



GN22-12C/(1600~2000)-40型高压隔离开关接线端子图

GN22-12C/(2500-3150)-50型高压隔离开关接线端子图

Model	A	B	C	D	E
GN22-12C/1600-2000	537	255	305	807	50
GN22-12C/2500-3150	539	667	330	880	60