

Description

JDZ10-6,10 series of indoor voltage transformer, which is the epoxy resin casting, fully enclosed post structure. It's rated frequency 50Hz or 60Hz, rated voltage of power system up to 10(12)kV, for measuring current, electric energy and relay protection.

The primary and secondary windings and iron core are casting together, which has a good insulating and moisture-proof performance. The iron core is made of cold rolled silicon steel sheet. The secondary outlet is provided with a connecting cover, and a convenient outlet groove is fixed on the shield. The transformer' has a good anti pollution and moisture resistance. This voltage transformer conforms to IEC60044-2 and GB1207-2006 standard.

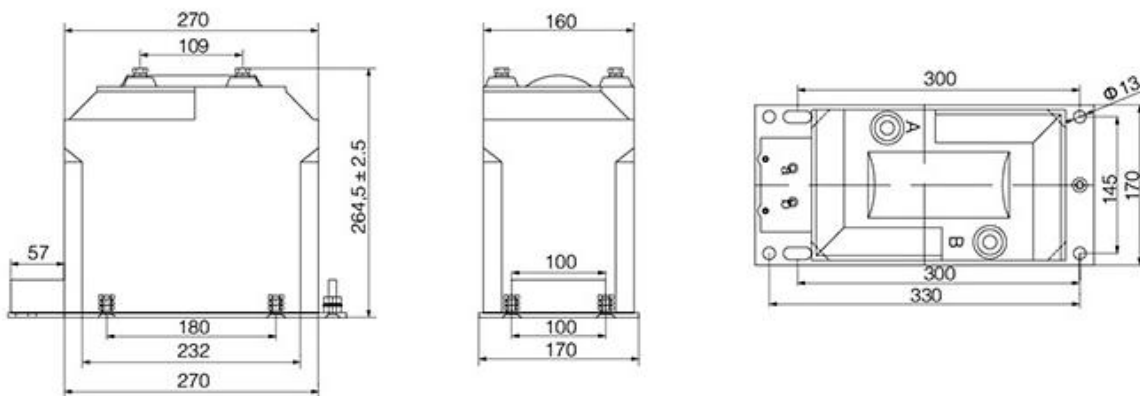
Technical Data

- Power factor: $\text{COS}\Phi=0.8$ (lagging)
- Rated frequency: 50/60Hz
- Ambient temperature: $-5^{\circ}\text{C} \sim +40^{\circ}\text{C}$
- Altitude : $\leq 2000\text{m}$

Model	Rated transformation ratio(kV)	Accuracy classes and rated output (VA)					Thermal limit output (VA)	Rated insulation level (kV)
		0.2	0.5	1	3	3P 6P		
JDZ10-6	6000/100	15	30	60	50	50	200	7.2/32/60
JDZ10-10	10000/100	15	30	60	50	50	200	12/42/75

Note: We can also manufacture the transformers with other specifications as the detailed request.

Outline Dimension



Send a inquiry