

## Description

JDZ9-6,10 series of indoor voltage transformer, which is the epoxy resin casting, with double insulated VT, fully enclosed post structure. It's rated frequency 50Hz or 60Hz, rated voltage of power system up to 6kV,10kV, for measuring current, electric energy and relay protection.

Its primary and secondary windings are wound on the iron core, which is made of cold rolled silicon steel sheet. The secondary outlet is provided with a connecting cover, and a convenient outlet groove is fixed on the shield. The transformer' has a good anti pollution and moisture resistance. This voltage transformer conforms to IEC60044-2 and GB1207-2006 standard.

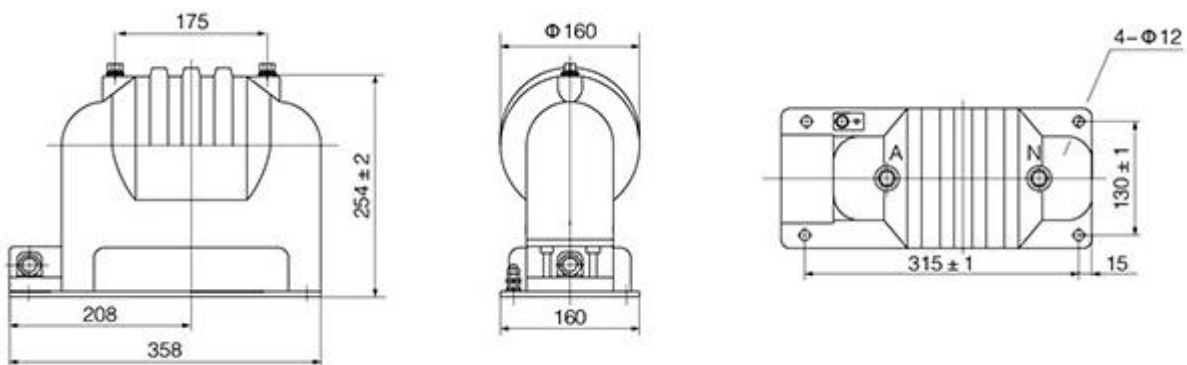
## Technical Data

- Power factor:  $\text{COS}\Phi=0.8$  (lagging)
- Rated frequency: 50/60Hz
- Ambient temperature:  $-5^{\circ}\text{C} \sim +40^{\circ}\text{C}$
- Altitude :  $\leq 2000\text{m}$

Model	Rated transformation ratio(kV)	Accuracy classes and rated output (VA)					Thermal limit output (VA)	Rated insulation level (kV)
		0.2	0.5	1	3	3P 6P		
JDZ9-6	6000/100	20	50	100	150	200	400	7.2/32/60
JDZ9-10	10000/100	30	80	200	240	240	600	12/42/75

**Note:** We can also manufacture the transformers with other specifications as the detailed request.

## Outline Dimension



**Send a inquiry**