

## Description

JDZXW(F)-35(R) series of outdoor voltage transformer, which is the epoxy resin casting and silicone rubber composite insulation, fully enclosed post structure. It's used for rated frequency 50Hz or 60Hz, rated voltage of power system up to 35kV(40.5kV), for measuring current, electric energy and relay protection.

It has a characteristic of electric arc resistance, ultraviolet ray and aging resistance long creepage distance, little partial discharge and large caliber of resistance to over voltage.

The iron core of voltage transformer is made of advanced cold-rolled silicon steel sheet. The high voltage outgoing line of primary winding was pulled out from its top, outgoing line of secondary winding was pulled out from its transverse side.

The JDZXW(F)-35(R) is a single-phase transformer connected between phase to ground. It has 3 secondary windings, the primary A terminal is connected with phase wire, the N terminal is earth contacting.. This outdoor unit conforms to IEC60044-1 and GB1208-2006.

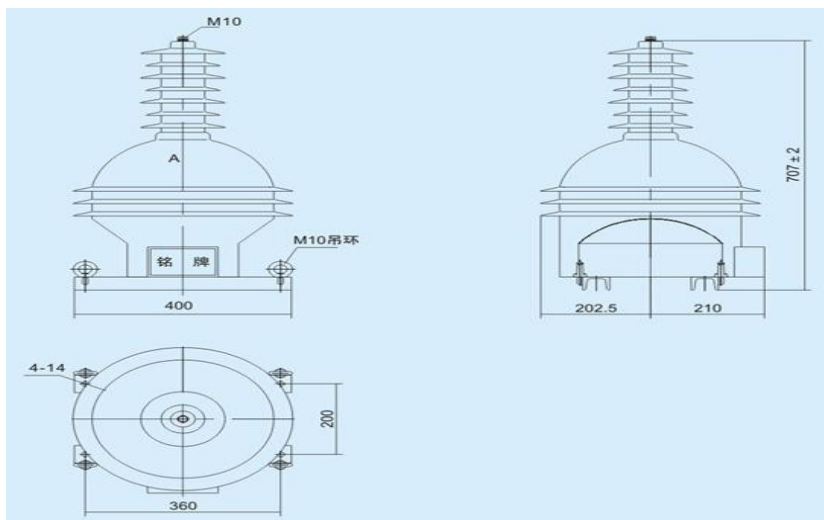
## Technical Data

- Power factor:  $\text{COS}\Phi=0.8$  (lagging)
- Rated frequency: 50/60Hz
- Ambient temperature:  $-5^{\circ}\text{C} \sim +40^{\circ}\text{C}$
- Altitude :  $\leq 2000\text{m}$

| Model    | Rated Voltage Ratio(KV)                              | Accuracy classes combination & rated secondary output (VA)                             | Thermal limit output (VA) | Rated insulation level (KV) | Surface creepage distance (mm) |
|----------|--|--|---------------------------|-----------------------------|--------------------------------|
| JDZXW-35 | $35/\sqrt{3}/0.1/\sqrt{3}/0.1/3$                     | 0.2/6P(3P)---30/100<br>0.5/6P(3P)---90/100<br>1/6P(3P)---180/100<br>3/6P(3P)---500/100 | 600                       | 40.5/95/185                 | 1450                           |
|          | $35/\sqrt{3}/0.1/\sqrt{3}/0.1/\sqrt{3}/0.1/\sqrt{3}$ | 0.2/0.2/6P(3P)---15/15/100<br>0.2/0.5/6P(3P)---15/20/100<br>0.5/0.5/6P(3P)---45/45/100 | 300/300                   |                             |                                |

**Note:** We can also manufacture the transformers with other specifications as the detailed request.

## Outline Dimension



Send a inquiry