

JN22-40.5/31.5 Indoor HV Earthing Switch is used for 3 phase rated voltage 40.5kV, AC 50Hz power system , high voltage switchgear with KYN61-405, high voltage electrical equipment maintenance as the use of ground fault protection. The switch conforms to the national standard GB1985-2004 " AC high voltage disconnectors and earthing switches" and IEC62271-102.

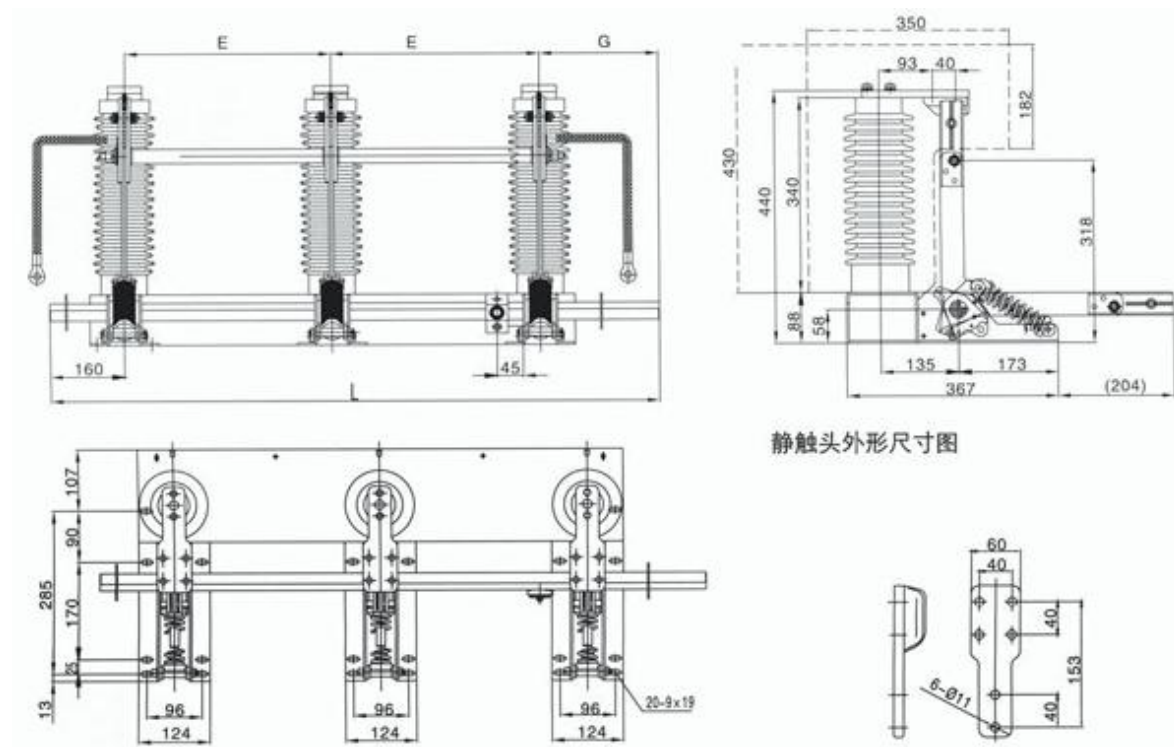
**Environment condition**

- Ambient temperature: -25°C~+40°C
- Altitude: ≤1000m
- Relative humidity: monthly average ≤90%; daily average: ≤95%
- Earthquake intensity: ≤8 degree

**Technical Data**

Rated voltage (kV)	35	
Max. voltage (kV)	40.5	
Rated short-time withstand current (thermal stability) (kA)	31.5	
Rated short-circuit duration (s)	4	
Rated short-circuit making current (kA)	80	
Rated peak withstand current (dynamic stability) (kA)	80	
Inter-pole center distance (mm)	350, 400	
Rated insulation level	1min.PF withstand voltage (kV)	95
	Lightning impulse withstand voltage (kV)	185

**Outline Dimension**



静触头外形尺寸图