

ZW10-12XDG/630-20 high voltage double power supply mutual casting device is composed of a high voltage vacuum circuit breaker and an intelligent controller two parts. Application in AC 50HZ, rated voltage 12KV, rated current 630A dual circuit power supply system.

When the power supply is cut off or under voltage, the automatic switch is switched to the normal power supply to ensure the continuity of the power supply. At the same time, it has the functions of short circuit and over current protection, which can avoid unnecessary power supply shock when load is in fault.

Particularly suitable for the important places that do not allow power outages, as an important electrical control device to ensure continuous power supply.

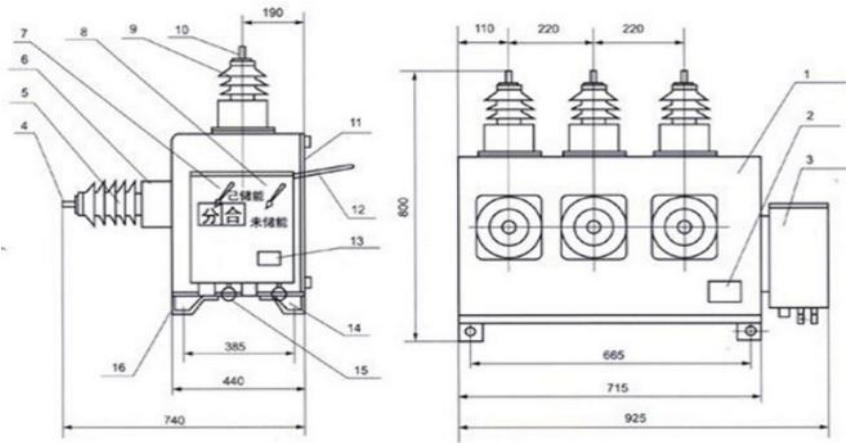
### Environmental conditions

- Ambient temperature: -40°C ~ +40°C
- Altitude: ≤2000m
- Wind pressure: ≤700Pa(equals to wind speed 34m/s)
- Relative humidity: monthly average 90%, daily average 95%
- Air contamination degree: III degree
- Ambient air should not be contaminated by corrosive gases or flammable gases
- No frequent violent vibration
- Silicone rubber as insulation media shall comply with GB655386 standard

### Technical Data

1	Rated voltage (KV)		12
2	Rated current (A)		630
3	Rated frequency (HZ)		50
4	Power frequency withstand voltage (KV)		42/48
5	Lightning impulse withstand voltage (peak) (KV)		75/85
6	Rated short circuit breaking current (KA)		20
7	Lightning impulse withstand voltage (peak) (KA)		50
8	Rated short time withstand current (KA)		20
9	Rated peak withstand current (KA)		50
10	Rated operating sequence		O-0.3s-CO-180S-CO
11	Nos of breaking rated short circuit breaking current (Times)		30
12	Mechanical life (Times)		10000
13	Permissible abraded thickness of moving contact (mm)		3
14	CT operating mechanism(v)	Closing coil	220V(DC or AC)
		Opening coil	
15	Rated current of over-current release(A)		5
16	Primary secondary current ratio of current transformer		100/5,200/5,300/5,400/5,630/5
17	Charging motor	Rated voltage(V)	(DCorAC)220V
		Power(W)	≤200

## Outline and Dimension



- |                               |                               |                               |
|-------------------------------|-------------------------------|-------------------------------|
| 1 Case body                   | 6 Current transformer         | 11 Back shroud                |
| 2 Product nameplate           | 7 Opening and closing pointer | 12 Energy storage shake shaft |
| 3 Operate mechanism           | 8 Energy storage pointer      | 13 Operator nameplate         |
| 4 Wiring terminal             | 9 Insulation tube             | 14 Manual closing ring tab    |
| 5 Insulation conductive lever | 10 Wiring terminal            | 15 Manual opening ring tab    |
|                               |                               | 16 Earth screw                |