

Description

JDZX9-35 series of indoor voltage transformer, which is the epoxy resin casting with single pole insulated VT, fully enclosed post structure. It's rated frequency 50Hz or 60Hz, rated voltage of power system up to 35kV(40.5kV), for measuring current, electric energy and relay protection.

This voltage transformer conforms to IEC60044-2 and GB1207-2006 standard.

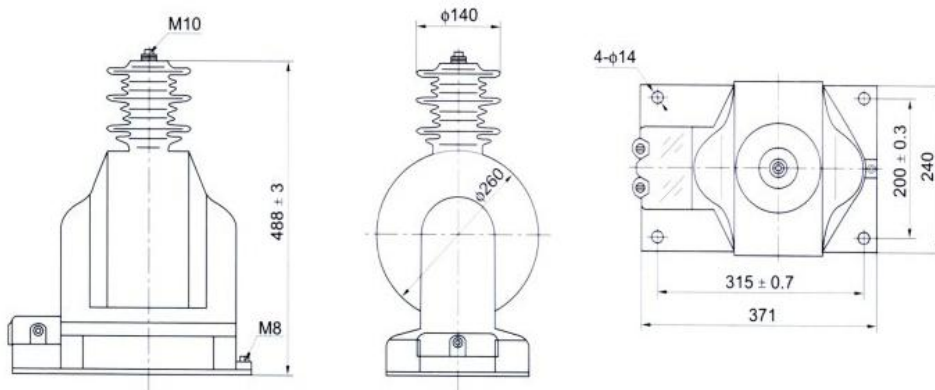
Technical Data

- Load Power factor: $\text{COS}\Phi=0.8$ (lagging)
- Rated frequency: 50/60Hz
- Ambient temperature: $-5^{\circ}\text{C} \sim +40^{\circ}\text{C}$

Model	Rated voltage ratio(kV)	Accuracy classes combination	Rated output (VA)	Thermal limit output (VA)	Rated insulation level (kV)
JDZX9-35	35000/ $\sqrt{3}$ /100/ $\sqrt{3}$ /100/3	0.2/6P(3P)	30/150	600	40.5/95/200
		0.5/6P(3P)	50/150		
	35000/ $\sqrt{3}$ /100/ $\sqrt{3}$ /100/ $\sqrt{3}$ /100/3	0.2/0.2/6P(3P)	15/15/150		
		0.2/0.5/6P(3P)	15/20/150		
		0.5/0.5/6P(3P)	20/20/150		

Note: We can also manufacture the transformers with other specifications as the detailed request.

Outline Dimension



Send a inquiry