

Description

LMZC series of open core type current transformer, the secondary windings are made of the flame retardant plastic shells, primary bushing or cable can pass through the inner hole, bottom has installation inserts for fixation. It is simple and shortcut, is suitable for measuring current, signal collection and relaying protection in the medium voltage power system of bushing or cable etc.

Technical Data

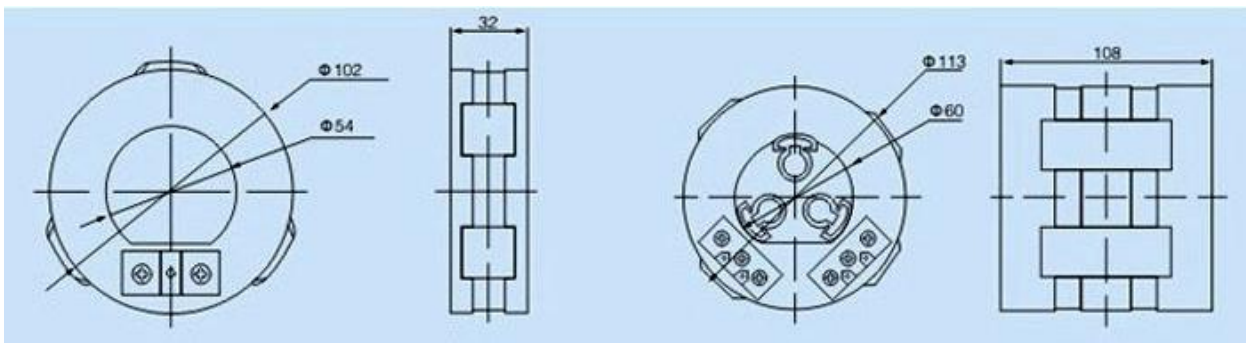
- Load Power factor:	COSΦ=0.8(Lagging)
- Rated secondary current:	5A or 1A
- Power frequency withstand voltage:	10kV
- Rated frequency:	50/60Hz
- Ambient temperature:	-5°C ~+40°C
- Altitude :	≤1000m
Technical standard:	IEC 60044-1 (IEC 61869)

Model	LMZC1-10C			LMZC1-10P			LMZC1-10P			
Purpose	Measuring current transformer			Protective current transformer			Double winding current transformer			
Rated Primary current	Accuracy class and rated burden (VA)			Accuracy class and rated burden (VA)			Double winding accuracy class and rated burden (VA)			
	0.5	1	3	10P15	10P10	10P5	0.5	1	10P10	10P5
50			2.5							
75			2.5			1.5				
100		2.5				2.5				
150		2.5			1.5	3.75				
200	2.5	5			2.5	5				
300	2.5	5		1.5	2.5	5		2.5		1.5
400	5	5		1.5	2.5	5	2.5		3.75	2.5
500	5	5		2.5	3.75	7.5	2.5		5	2.5
600	5	5		2.5	5	10	2.5		5	2.5

Model	LMZC2-10C			LMZC2-10P			LMZC2-10P			
Purpose	Measuring current transformer			Protective current transformer			Double winding current transformer			
Rated Primary current	Accuracy class and rated burden (VA)			Accuracy class and rated burden (VA)			Double winding accuracy class and rated burden (VA)			
	0.2	0.5	1	10P15	10P10	10P5	0.5	1	10P10	10P5
50			2.5			2.5				
75			2.5			2.5		2		1.5
100		2.5	5			5		2.5		2.5
150		2.5	5			5		2.5		2.5
200	2.5	3.75	7.5			7.5		3.75		2.5
300	5	5		1.5	3.75	10	2.5	5	2.5	5
400	5	7.5		1.5	3.75	10	5	5	2.5	5
500	5	7.5		2.5	5	15	5	5	3.75	7.5
600	5	10		2.5	5	15	5	5	3.75	7.5

Note: We can also manufacture the transformers with other specifications as the detailed request.

Outline Dimension



Send a inquiry