

## Description

LMZK series of split core type current transformer, which is indoor epoxy resin casting insulation, open-core structure and consist of two half cirque metal slug and secondary windings. It is especially suitable to fix on the incoming/outgoing cables of the high voltage switchgear.

It has two configuration formats of single ratio and double ratios and two Installation modes of plastic waistband and stainless steel waistband, and it is applicable to all the 35 mm<sup>2</sup>-500mm<sup>2</sup> and 12kV cables, rated voltage up to 11kV power system, used for Ring Main Unit, C-GIS

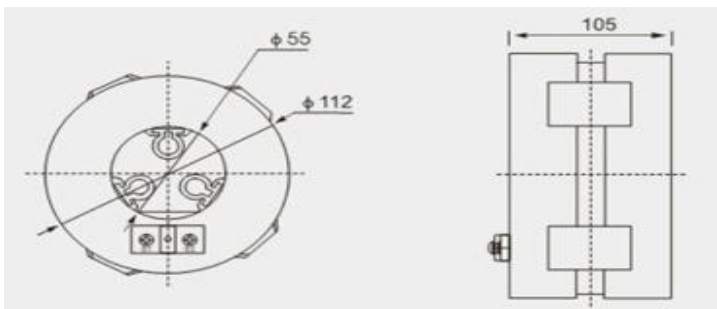
## Technical Data

- Load Power factor:  $\text{COS}\Phi=0.8(\text{Lagging})$
- Rated secondary current: 5A or 1A
- Power frequency withstand voltage: 10kV
- Rated frequency: 50/60Hz
- Ambient temperature:  $-5^{\circ}\text{C} \sim +40^{\circ}\text{C}$
- Altitude :  $\leq 1000\text{m}$
- Standard: IEC 60044-1 (IEC 61869)

Model	LMZK-11C			LMZK-11P			LMZK-11CP			
Purpose	Measuring current transformer			Protection current transformer			Double winding current transformer			
Rated primary current (A)	Accuracy class and rated burden(VA)			Accuracy class and rated burden(VA)			Accuracy class and rated burden(VA)			
	0.5	1	3	10P15	10P10	10P5	0.5	1	10P10	10P5
50			2.5							
75			2.5			1.5				
100		2.5				2.5				
150		2.5			1.5	3.75				
205	2.5	5			2.5	5				
300	2.5	5		1.5	2.5	5		2.5		1.5
400	5	5		1.5	2.5	5	2.5			2.5
500	5	5		2.5	3.75	7.5	2.5			2.5
600	5	5		2.5	5	10	2.5			2.

**Note:** We can also manufacture the transformers with other specifications as the detailed request.

## Outline Dimension



**Send a inquiry**