

Description

LZZBJ9-10A series of full enclosed dry type current transformer, which is indoor epoxy resin casting insulation, encloses primary & secondary windings and annular core in the epoxy resin casting body.

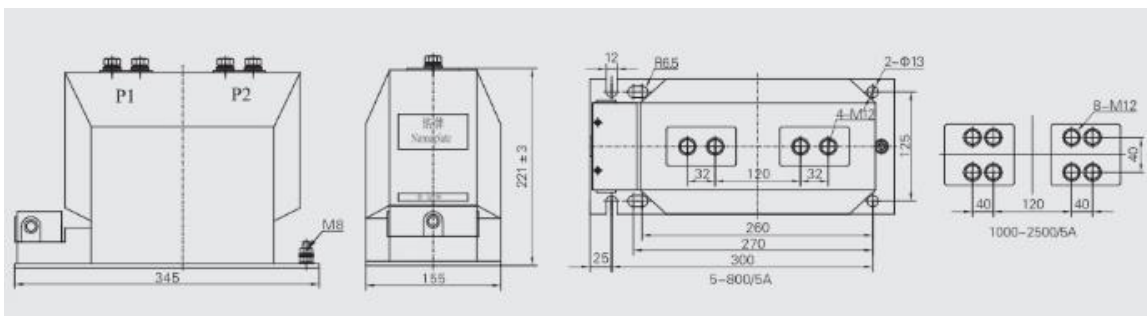
It is widely used for measuring current, electric energy and relaying protection in the electrical system with the rated voltage up to 10(12) kV, rated frequency 50HZ or 60HZ..It has earthing bolt and 4 mounting holes There is a protective cover for the secondary terminals .

Technical Data

- Rated insulation level: 12/42/75kV
- Rated secondary current: 5A or 1A
- Power frequency withstand voltage: 10kV (12kV)
- Rated frequency: 50/60Hz
- Ambient temperature: -5°C ~+40°C
- Altitude : ≤1000m
- Standard: IEC 60044-1, GB1208-2006

Rated current ratio (A)	Accuracy classes combination	Rated output (VA) COSΦ=0.8			FS	ALF	1s short-time thermal current (kA)	Rated dynamic current (kA)
		Measuring		Protection				
		0.2(s)	0.5	10P				
10-200/5	0.2(s)/0.2(s) 0.2(s)/0.5 0.2(s)/10P 0.5/10P 0.2s/0.5/10P 0.2/0.5/10P	10	15	15	5 (10)	10 15 20	150I1n	375I1n
300/5							31.5	80
400/5							31.5	80
500/5							40	100
600/5							50	125
800/5							63	125
1000/5							80	160
1200-1500/5							80	160
1500-2000/5							100	160
2000-3150/5							130	160

Note: We can also manufacture the transformers with other specifications as the detailed request.



Outline Dimension

Send a inquiry