

Description

LZZBJ9-24/180b/2, LZZBJ9-24/180b/4 series of full enclosed dry type current transformer, which is indoor epoxy resin casting insulation, encloses primary & secondary windings and annular core in the epoxy resin casting body.

It is widely used for measuring current, electric energy and relaying protection in the electrical system with the rated voltage up to 17.5(24) kV, rated frequency 50HZ or 60HZ.

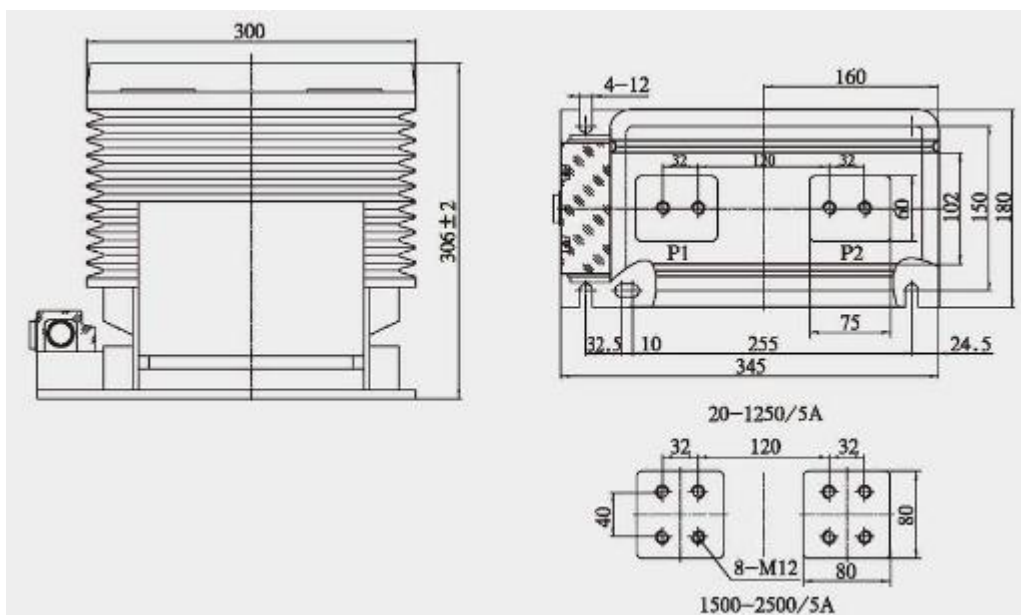
Technical Data

- Rated insulation level: 24/65/125kV
- Rated secondary current: 5A or 1A
- Power frequency withstand voltage: 17.5kV, 24kV
- Rated frequency: 50/60Hz
- Ambient temperature: -5°C ~+40°C
- Altitude : ≤1000m
- Standard: IEC 60044-1, GB1208-2006

Rated primary current (A)	Accuracy classes combination	Rated secondary output (VA)				1s thermal current (kA)	Rated dynamic current (kA)
		0.2(s)	0.5(s)	10P10	10P15		
20,30,40,50,75,100,150	0.2(s)/0.2	10	15	15	15	150 I1n	375 I1n
200	0.2(s)/0.5					31.5	80
300,400,500	0.2(s)/ 10P10					45	112.5
600,800	0.5(s)/ 10P10	15	15	20	15	63	130
1000,1200,1250	0.2(s)/ 10P15					80	160
1500, 2500	0.5(s)/ 10P15					100	160

Note: We can also manufacture the transformers with other specifications as the detailed request.

Outline Dimension



Send a inquiry