

Description

LZZJ-10Q series of full enclosed dry type current transformer, which is indoor epoxy resin casting insulation, encloses primary & secondary windings and annular core in the epoxy resin casting body.

It is widely used for measuring current, electric energy and relaying protection in the electrical system with the rated voltage up to 36kV, rated frequency 50HZ or 60HZ.

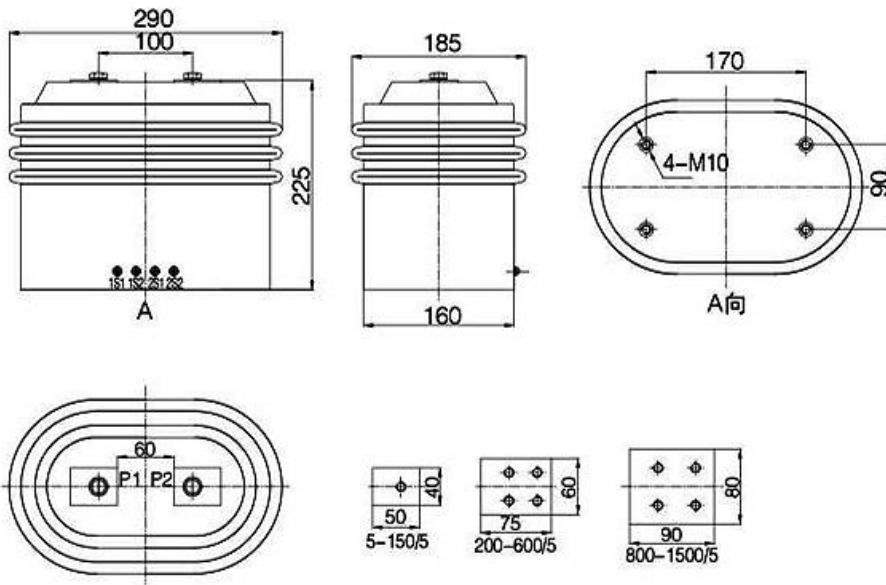
Technical Data

- Rated insulation level: 36/70/170kV
- Rated secondary current: 5A or 1A
- Power factor of the load: $\cos\Phi = 0.8$
- Power frequency withstand voltage: 12kV
- Rated frequency: 50/60Hz
- Ambient temperature: $-5^{\circ}\text{C} \sim +40^{\circ}\text{C}$
- Altitude : $\leq 1000\text{m}$
- Standard: IEC 60044-1, GB1208-2006

Rated transformation ratio (A)	Accuracy classes combination	Rated secondary output (VA)				1s short-time thermal current (kA)	Rated dynamic current (kA)
		0.2(s)	0.2	0.5	10P15		
5/5	0.2(s)/10P15 0.2/10P15 0.5/10P15	10	10	10	15	0.5	1.25
10/5						1	2.5
15/5						1.5	3.75
20/5						2	5
30/5						3	7.5
40/5						4	10
50/5						5	12.5
75/5						8	20
100/5						10	25
150/5						16	40
200/5						20	50
300/5						20	50
400/5						20	50
500/5						15	20
600/5	25	63					
800/5	32	80					
1000/5	32	80					

Note: We can also manufacture the transformers with other specifications as the detailed request.

Outline Dimension



Send a inquiry