

Description

LZZW-10 series of outdoor current transformer, which is the epoxy resin casting fully enclosed post structure, and outdoor dedicated epoxy resin (Switzerland ciba, cw5837) is used for the external insulation, with resistance to arc, UV resistance, aging resistance.

It's rated frequency 50Hz or 60Hz, rated voltage of power equipment up to 15kV, for current measurement, energy measurement and relay protection. The LZZW-10 Outdoor Post type current transformer conforms to IEC60044-1 and GB1208-2006 standard.

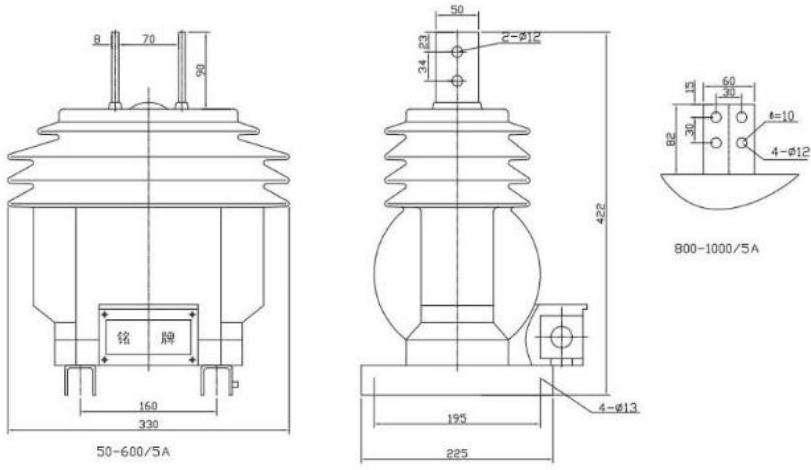
Technical Data

- Rated insulation level: 12/42/75kV
- Rated secondary current: 5A or 1A
- Power frequency withstand voltage: 10kV (15kV)
- Power factor: $\text{COS}\Phi=0.8$ (lagging)
- Rated frequency: 50/60Hz
- Ambient temperature: $-5^{\circ}\text{C} \sim +40^{\circ}\text{C}$
- Altitude : $\leq 1000\text{m}$

Rated transformation ratio (A)	Accuracy classes combination	Rated output (VA)			FS	ALF	1s short-time thermal current (kA)	Rated dynamic current (kA)
		Measuring		Protection				
		0.2(s)	0.5	10P				
10-200/5	0.2(s)/0.2(s) 0.2(s)/0.5 0.2(s)/10P 0.5/10P 0.2s/0.5/10P 0.2/0.5/10P			15	5 (10)	10 15 20	150I1n	375I1n
300/5							31.5	80
400/5							31.5	80
500/5		10	15	20	40	100		
600/5		15			50	125		
800/5			20		63	125		
1000/5					80	160		
1200-1500/5					80	160		

Note: We can also manufacture the transformers with other specifications as the detailed request.

Outline Dimension



Send a inquiry